



Technical Data

For detailed data and product description refer to the data sheets at www.pepperl-fuchs.com

General Data

Rated operating distance	20 mm
Installation	non-flush
Type of voltage	DC
Operating voltage	10 ... 30 V
No-load supply current	≤ 10 mA
Reverse polarity protection	✓
Switching frequency	0 ... 200 Hz
Operating current	0 ... 200 mA
Short-circuit protection	pulsing
Indication of the switching state	LED, yellow
Ambient temperature	-25 ... 70 °C (-13 ... 158 °F)
Housing material	brass, nickel-plated
Protection degree	IP67
Connection type	Device connector M12 x 1 , 4-pin



Properties

- Ø18 mm housing
- 20 mm, non-flush mountable
- DC, 3-wire switching output
- Connector version

Model Number

Switching element function	green = preferred type		
	PNP NO	●	
	PNP NC		●

Approvals and Certificates

CCC approval Products with a maximum operating voltage of ≤36 V do not bear a CCC marking because they do not require approval.

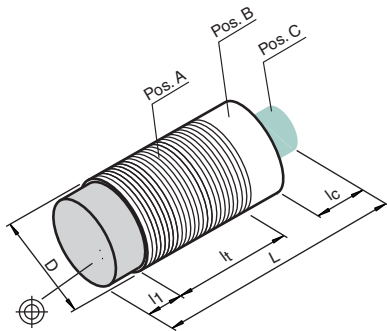
Dimensions

Length L [mm]	69
Diameter D [mm]	18
Thread length l _t [mm]	43
Cap length l ₁ [mm]	10
Connector area l _c [mm]	14
LED position	Pos. C

Accessories

This and more accessories can be found in chapter 10
See pages from 972 ... for cordsets See pages 1068 ... for mounting aids

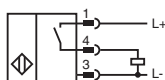
BF 18	Mounting flange, 18 mm
V1-G-BK	4-pin, M12 female field-attachable connector
V1-W-BK	4-pin, M12 female field-attachable connector
V1-G-2M-PUR	Cable socket, M12, 4-pin, PUR cable
V1-W-2M-PUR	Cable socket, M12, 4-pin, PUR cable
EXG-18	Quick mounting bracket with dead stop



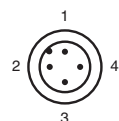
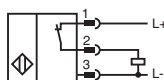
Electrical Connection



NEN20-18GM50-E2-V1



NEN20-18GM50-E3-V1



Wire colors in accordance with EN 60947-5-2

1	BN	(brown)
2	WH	(white)
3	BU	(blue)
4	BK	(black)

Date of issue 04/08/2015

Refer to "General Notes Relating to Pepperl+Fuchs Product Information".

Pepperl+Fuchs Group
www.pepperl-fuchs.com

USA: +1 330 486 0001
fa-info@us.pepperl-fuchs.com

Germany: +49 621 776 4411
fa-info@de.pepperl-fuchs.com

Singapore: +65 6779 9091
fa-info@sg.pepperl-fuchs.com

Courtesy of Steven Engineering, Inc - (800) 258-9200 - sales@steveng.com - www.stevenengineering.com